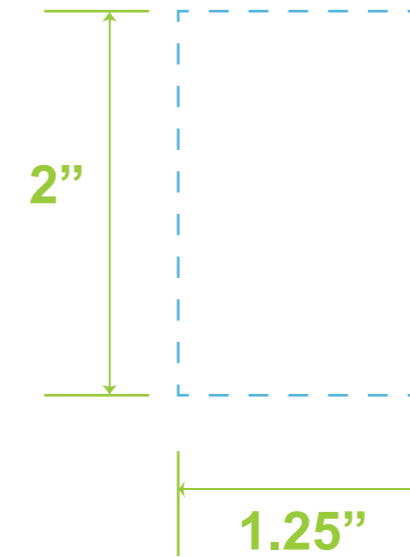
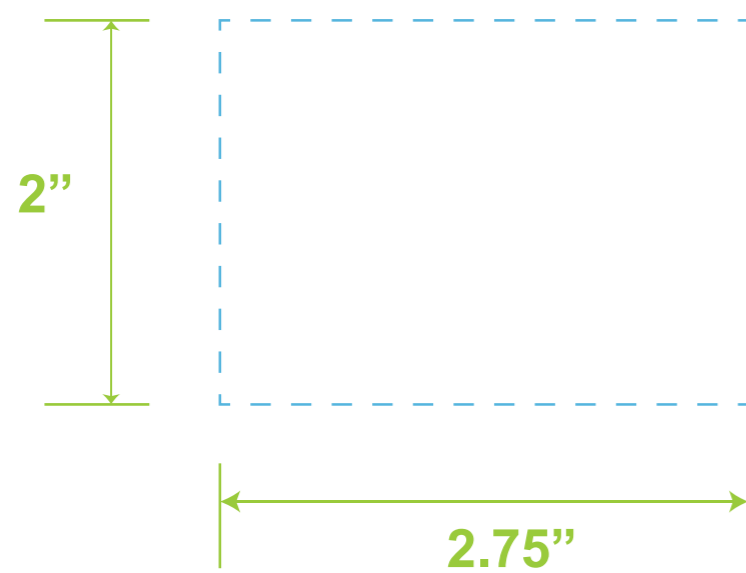


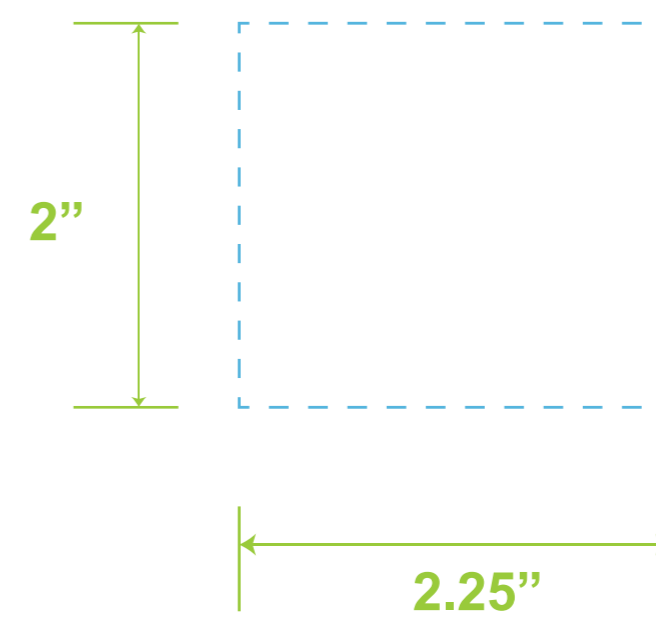
Laser Engraving / Full Color Digital
One Side Small Size: 1.25"W x 2"H



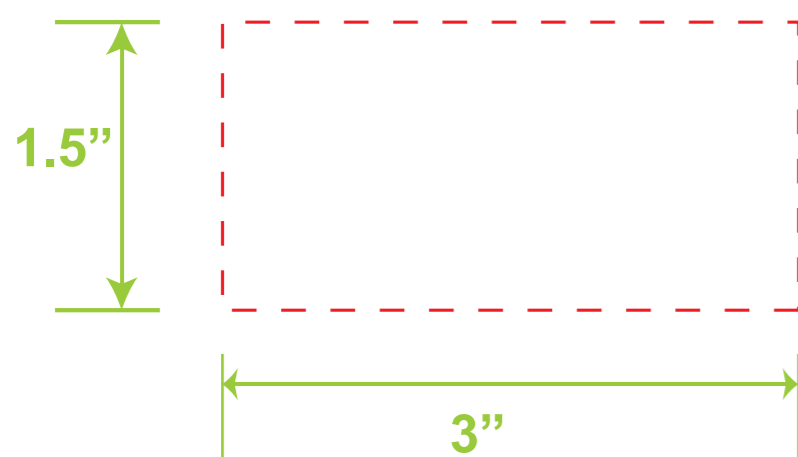
Laser Engraving / Full Color Digital
One Side Large Size:
2.75"W x 2"H



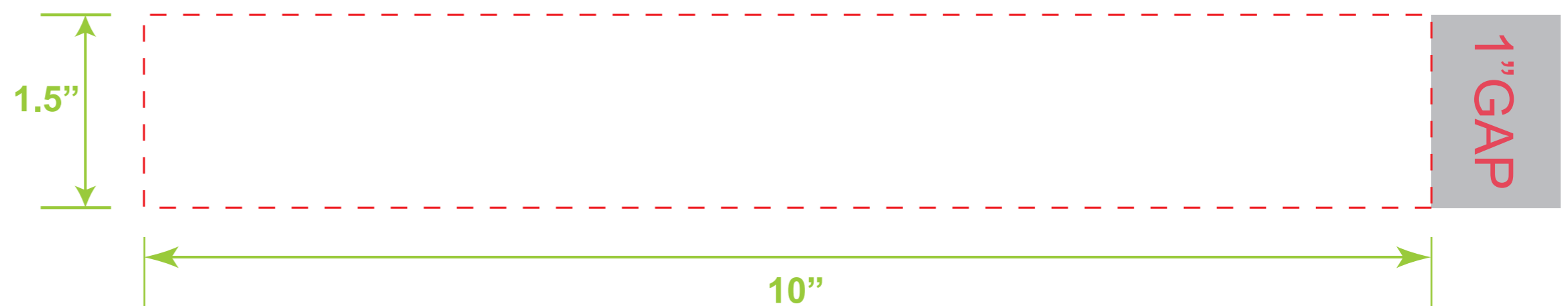
Laser Engraving / Full Color Digital
One Side Medium Size: 2.25"W x 2"H



Silk Screen Printing
Either Side: 3" W x 1.5" H



Silk Screen Printing / Full Color Digital
Full wrap with GAP: 10" W x 1.5" H



Full Color Digital Seamless Wrap: 11.02" W x 2.36" H

